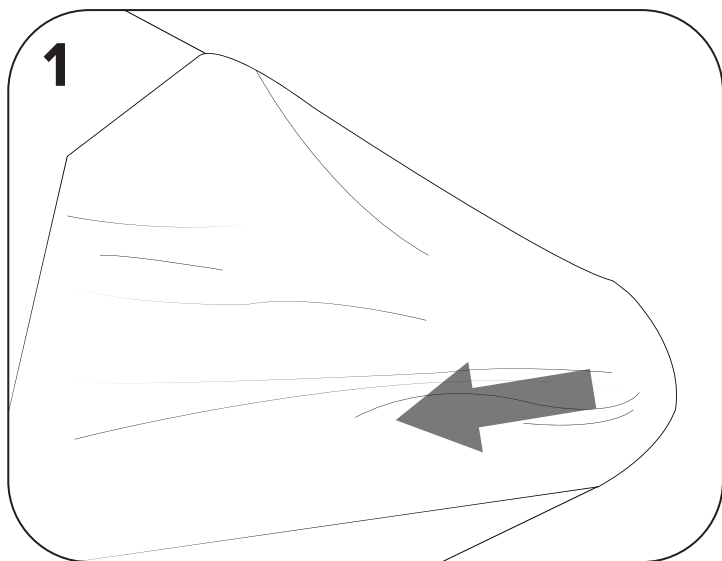
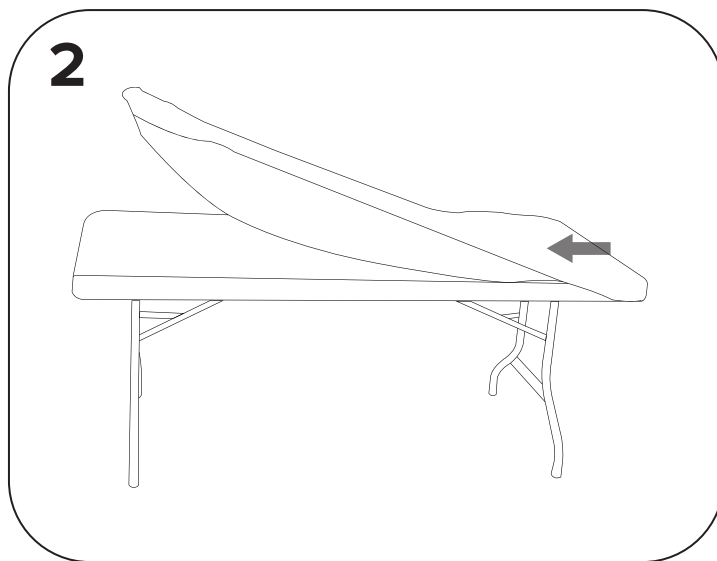


# [X4M] Custom Stretch Table Cover

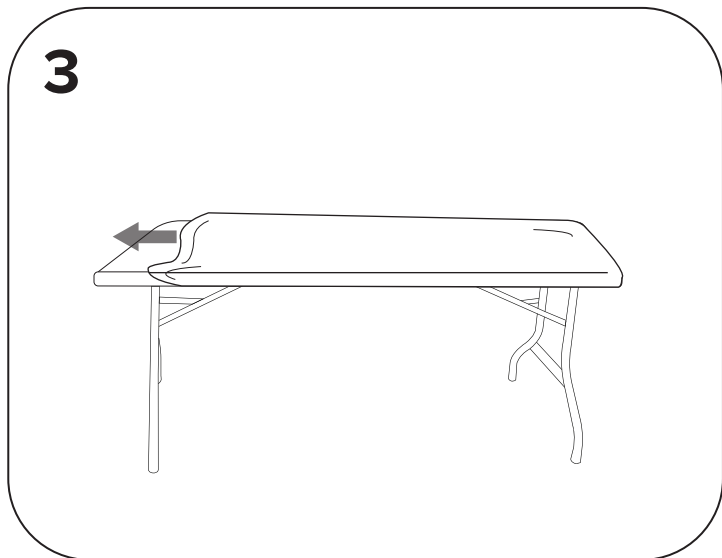
## INSTRUCTIONS



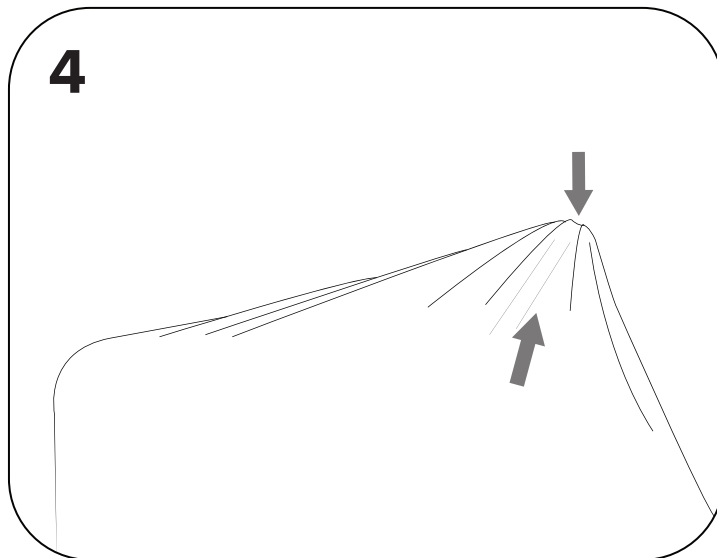
**1**  
Begin covering the table at any corner.



**2**  
Continue to cover the entire table.



**3**  
Pull the graphic cap towards the opposite end.



**4**  
Continue to pull the cap over the remaining corners.