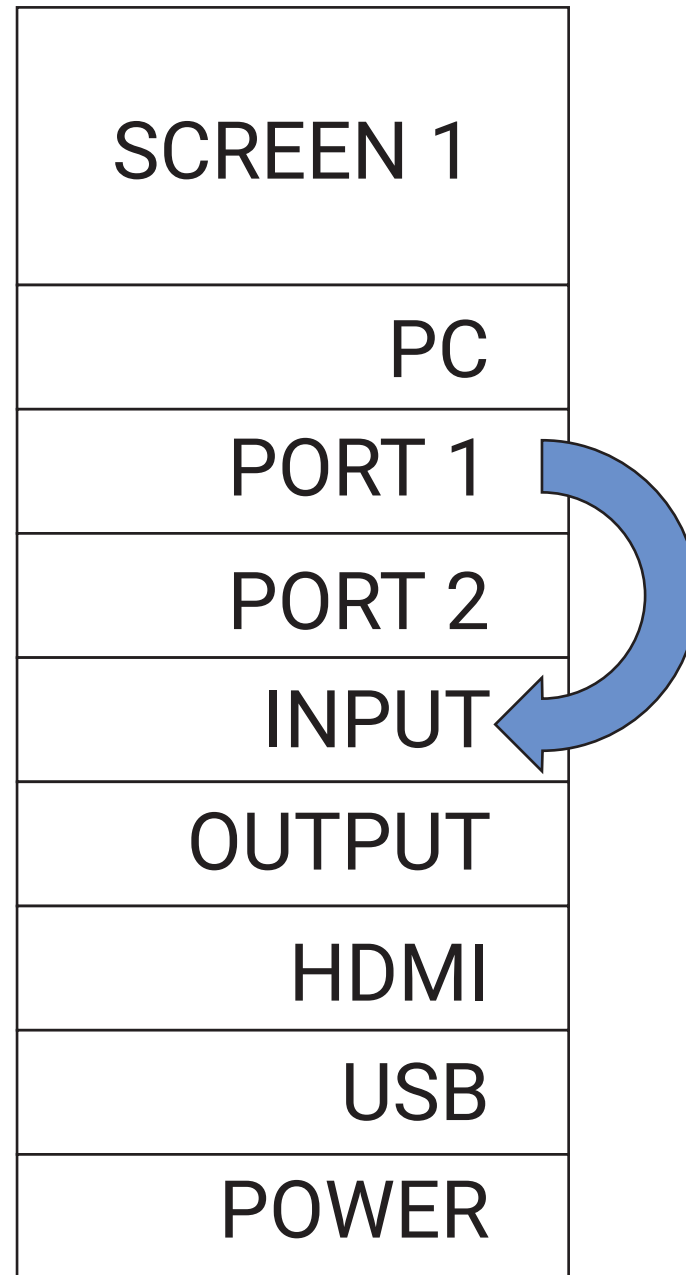


## How to Connect Multiple Screens:

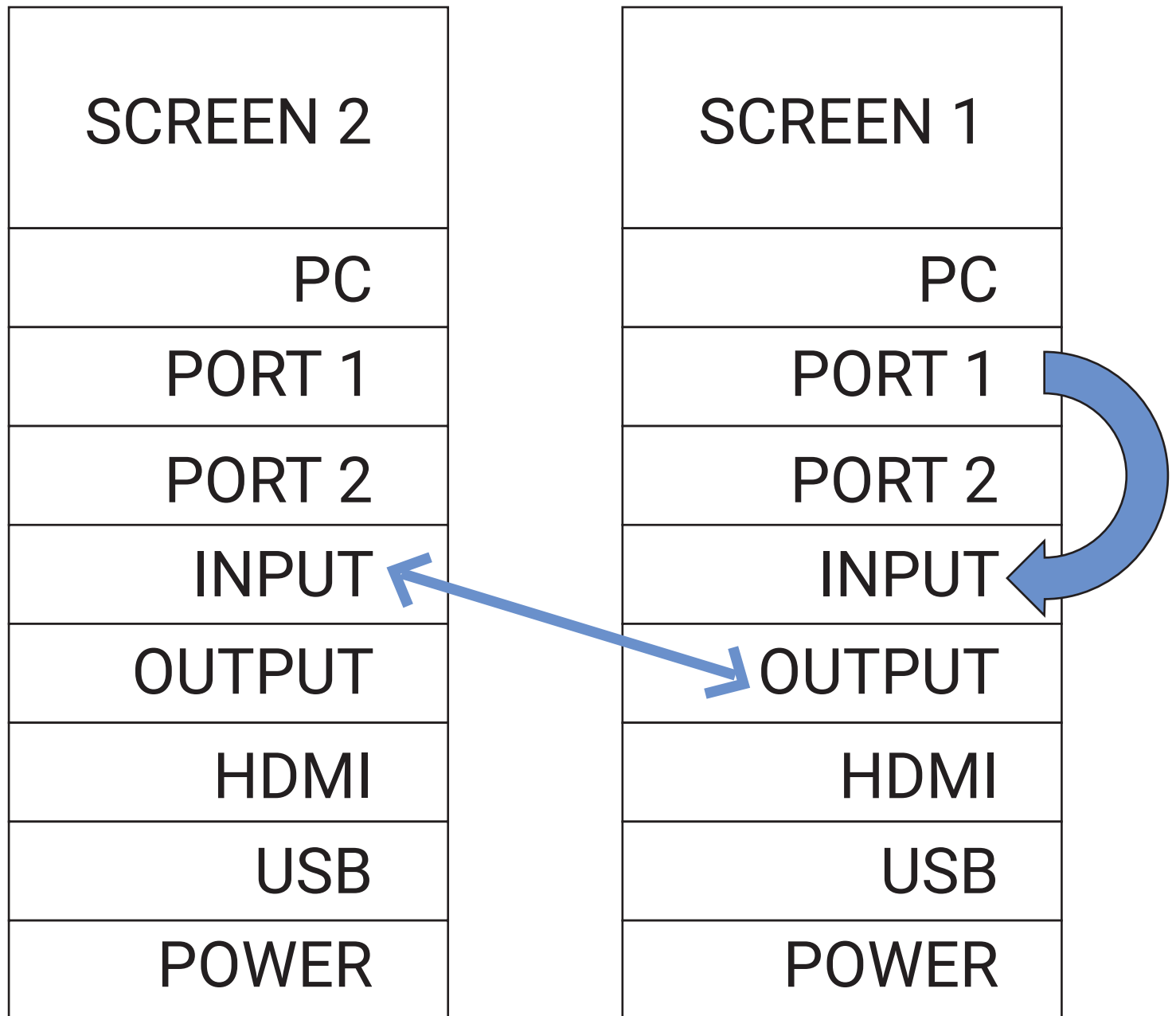
When displaying a single screen, simply connect port one to the input port.



For displaying images and videos across 2 screens:

From Port 1 to Input (Screen 1)

From Output (screen 1) to Input (screen 2)

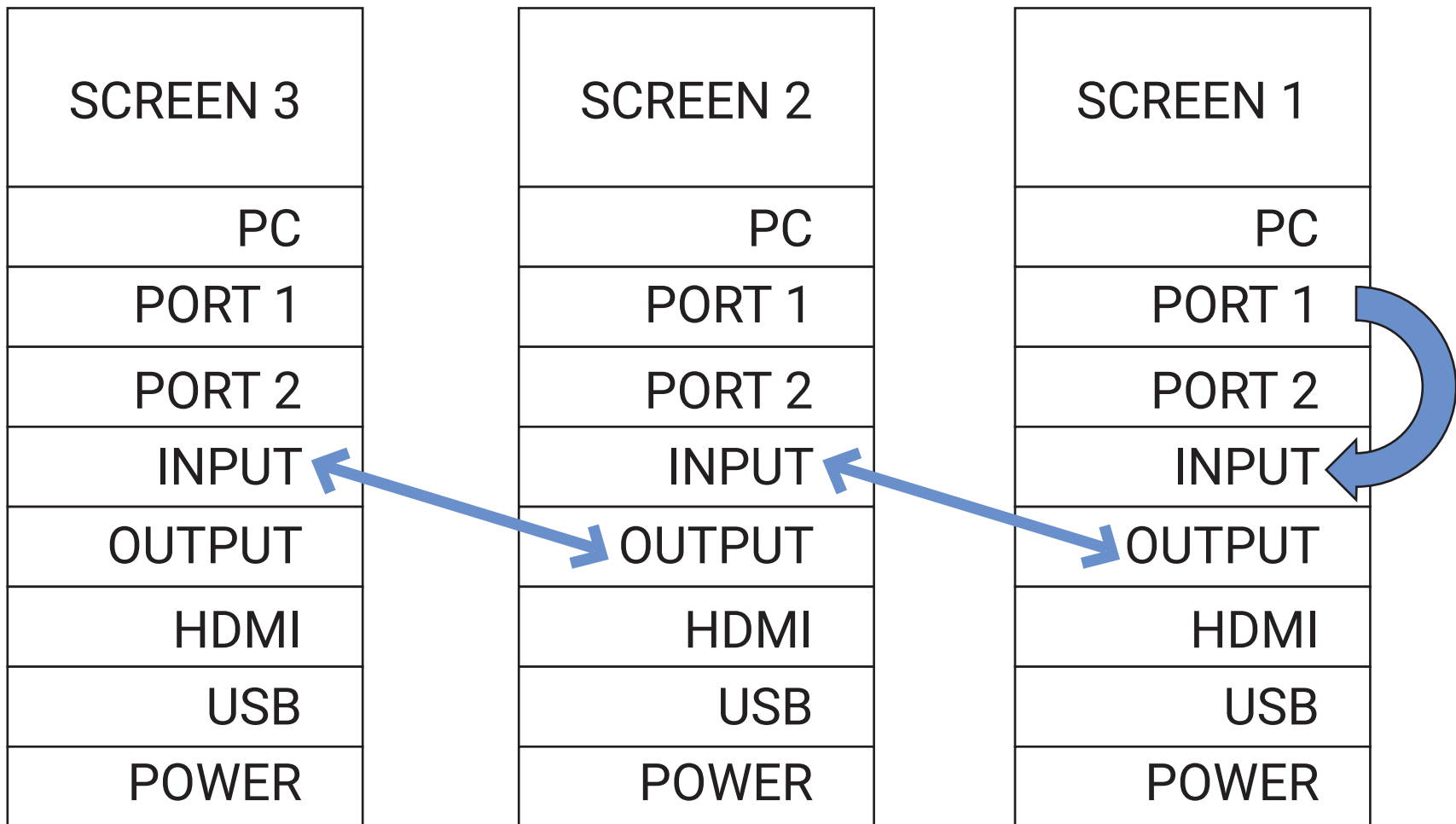


For displaying images and videos across 3 screens:

From Port 1 to Input (Screen 1)

From Output (screen 1) to Input (screen 2)

From Output (screen 2) to Input (screen 3)



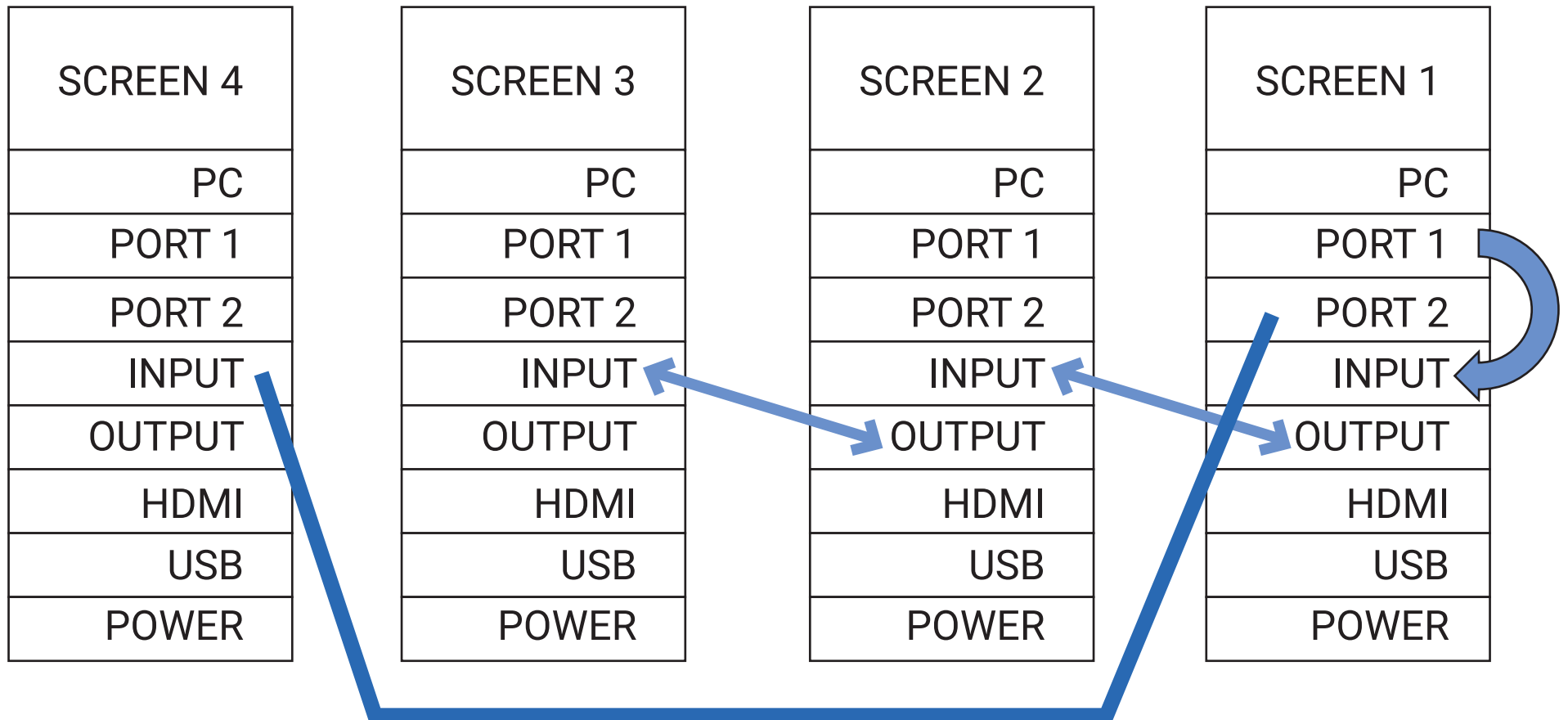
For displaying images and videos across 4 screens:

From Port 1 to Input (Screen 1)

From Output (screen 1) to Input (screen 2)

From Output (screen 2) to Input (screen 3)

From Port 2 (Screen 1) to Input (Screen 4)



For displaying images and videos across 5 screens:

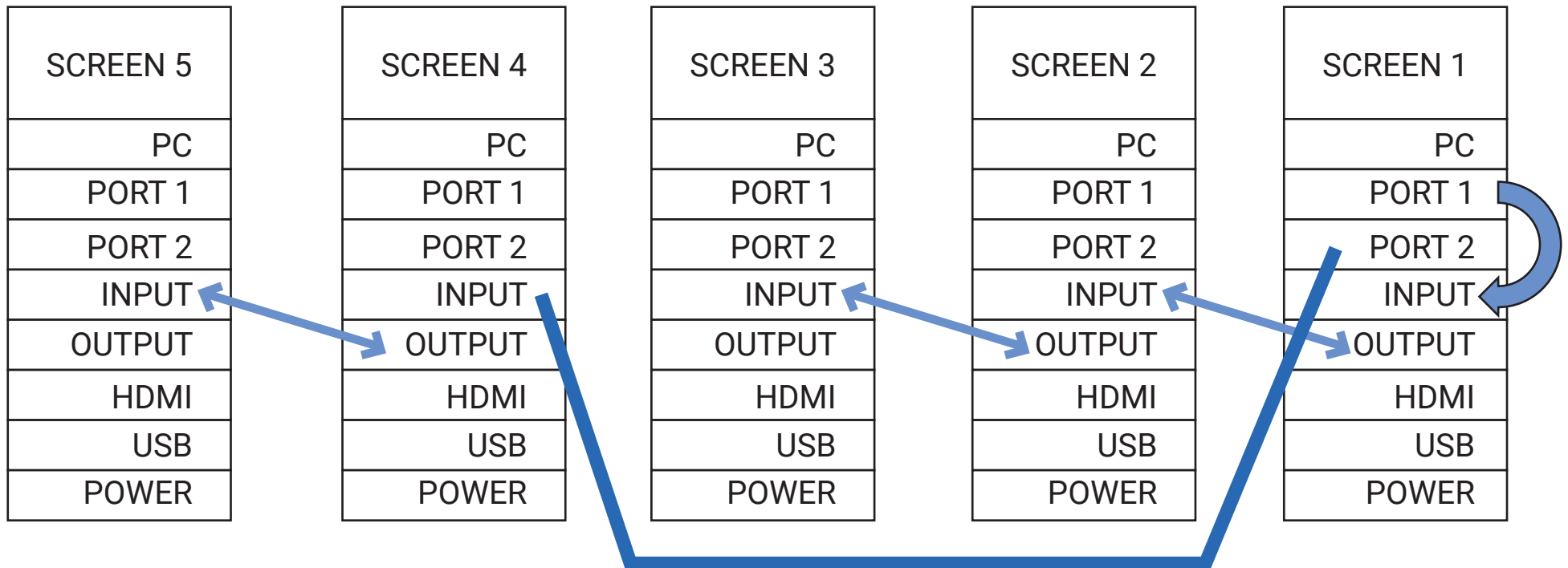
From Port 1 to Input(Screen 1)

From Output(Screen 1) to Input(Screen 2)

From Output(Screen 2) to Input(Screen 3)

From Output(Screen 4) to Input(Screen 5)

From Port 2(Screen 1) to Input(Screen 4)



For displaying images and videos across 6 screens:

From Port 1 to Input(Screen 1)

From Output(Screen 1) to Input(Screen 2)

From Port 2(Screen 1) to Input(Screen 4)

From Output(Screen 2) to Input(Screen 3)

From Output(Screen 4) to Input(Screen 5)

From Output(Screen 5) to Input(Screen 6)

