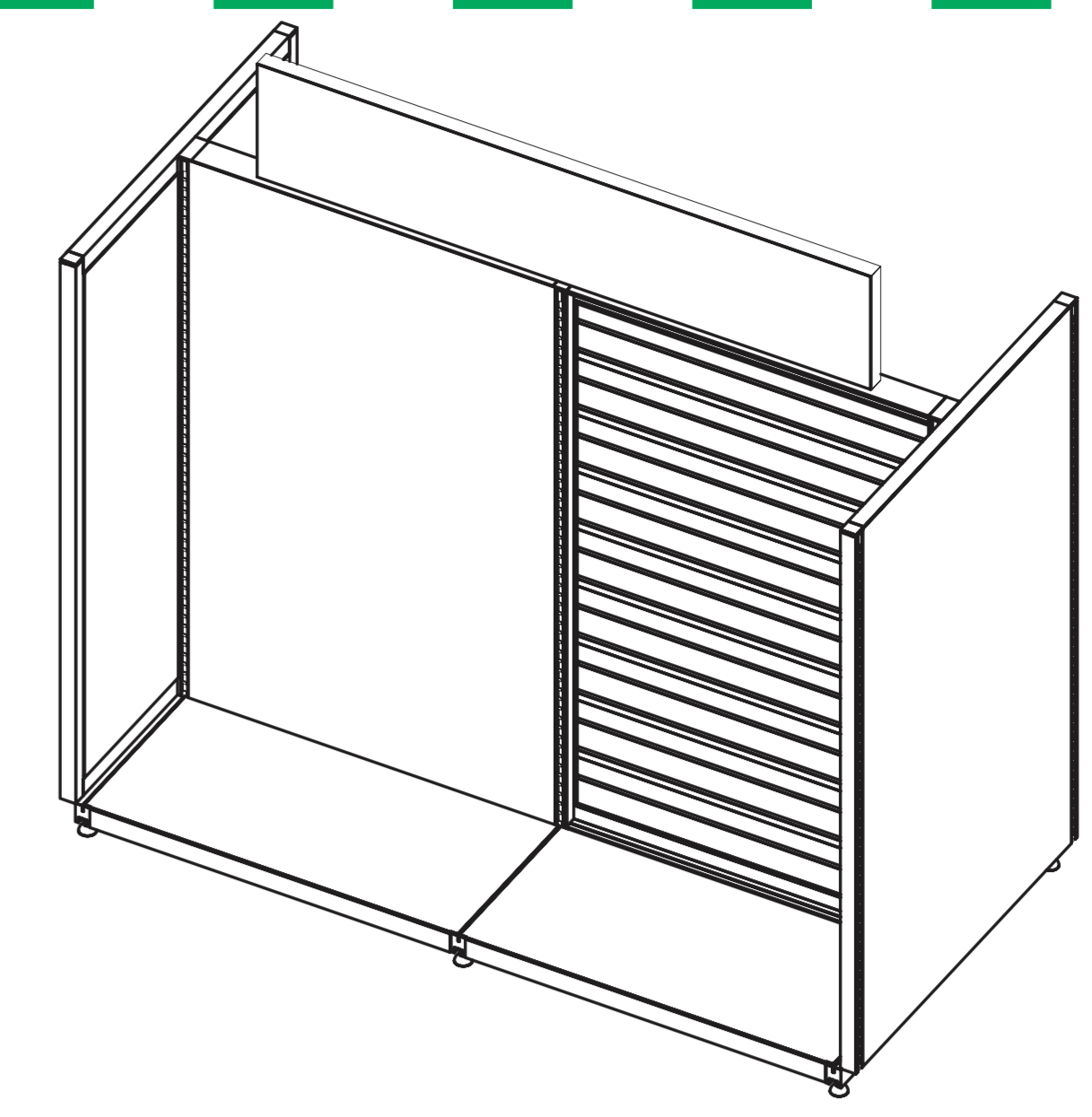


[RD-MODG01] FULLY CUSTOM RETAIL GONDOLA DISPLAY WITH 6 GRAPHICS, AND A DOUBLE-SIDED SLAT WALL



DO NOT SCALE ARTBOARD. EMBED ALL IMAGES AND SUPPORT FILES.

Panels A, C, E and F

CUT ZONE: 39.25" x 60.625"

STITCH ZONE: 32.25" x 56.625"

SAFE ZONE: 31.25" x 52.625"

Panels B and D are unprinted Black Soft Knit

Panels G and H

CUT ZONE: 62.94" x 15.875"

STITCH ZONE: 58.9375" x 11.875"

SAFE ZONE: 54.9375" x 7.875"

CUT LINE

Please extend the background images or colors all the way to the edge of the black outline.

STITCH LINE

This is where we aim to sew the product. The text or graphics near this line could get cut off.

SAFE LINE

Keep text and important imagery with this line to ensure it does not get cut off during production.

PANEL A

IMPORTANT

Please remove the Template & Instruction layers before submitting your files, otherwise they will be printed.

Please convert all **PMS & Spot Color** to **CMYK** format or they will not print. All Solid Coated Pantone colors should be called out in the art as spot colors.

Please **Outline All Fonts** and **Embed All Images**.

Photo resolution minimum: 100 dpi to 120 dpi in Actual size, 200-240 ppi @1/2 size

File format: PDF (preferred), AI, JPEG, TIFF, PSD, EPS (accepted).

PANEL C



PANEL E

PANEL F

bleed area —
trim line —
safe area —

The diagram consists of a large red dashed rectangular border. Inside this border is a smaller green dashed rectangular border. The text "PANEL G" is centered within the green dashed border.

PANEL G



PANEL H