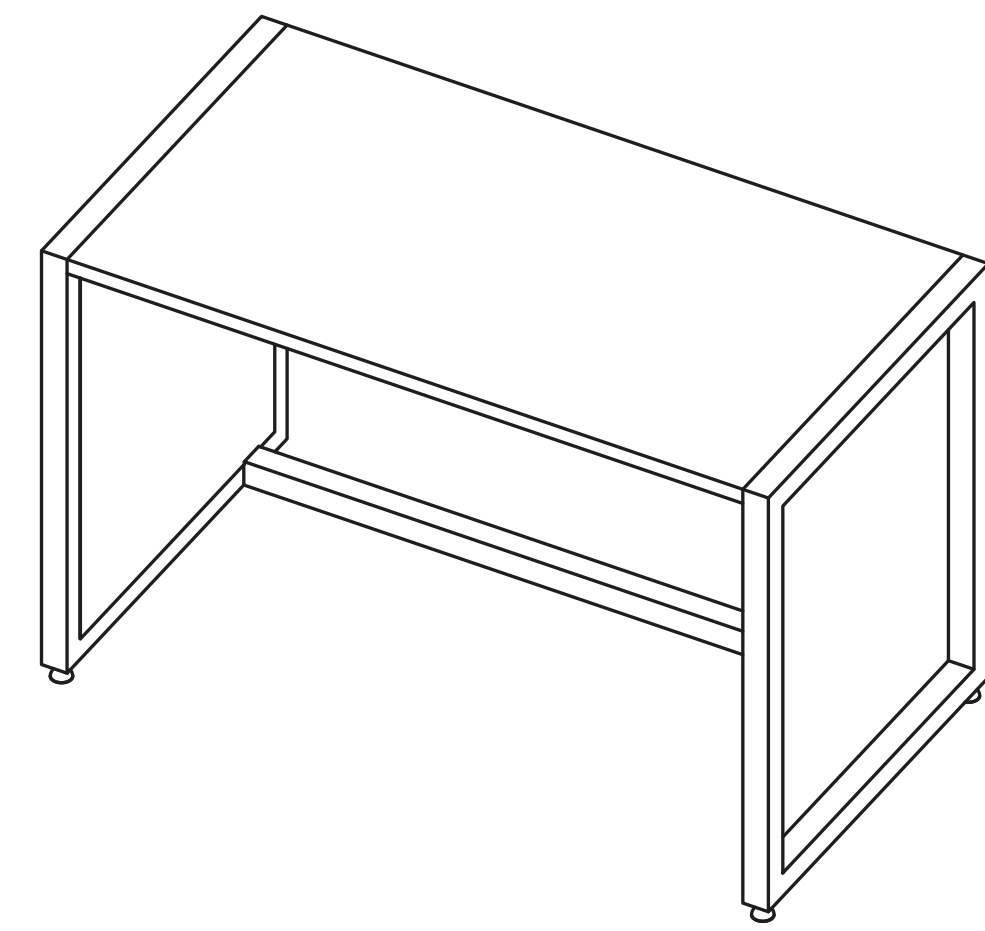


# PANEL A

## [RD-MODT01] FULLY CUSTOM RETAIL NESTING TABLE



### CUT LINE

Please extend the background images or colors all the way to the edge of the black outline.

### STITCH LINE

This is where we aim to sew the product. The text or graphics near this line could get cut off.

### SAFE LINE

Keep text and important imagery with this line to ensure it does not get cut off during production.

**CUT ZONE: 30.5" x 35.25"**

**STITCH ZONE: 26.5" x 31.25"**

**SAFE ZONE: 22.5" x 27.25"**

#### IMPORTANT

**Please remove the Template & Instruction layers before submitting your files, otherwise they will be printed.**

Please convert all **PMS & Spot Color** to **CMYK** format or they will not print. All Solid Coated Pantone colors should be called out in the art as spot colors.

Please **Outline All Fonts** and **Embed All Images**.

Photo resolution minimum: 100 dpi to 120 dpi in Actual size.  
File format: PDF (preferred), AI, JPEG, TIFF, PSD, EPS (accepted).

# PANEL B

bleed area  
trim line  
safe area



The diagram illustrates a rectangular panel with three distinct regions defined by dashed lines. The outermost region is the 'bleed area', bounded by a red dashed line. The middle region is the 'trim line', bounded by a green dashed line. The innermost region is the 'safe area', which is the central white space. The text 'PANEL B' is centered within the safe area. A legend in the bottom right corner identifies the lines: a red line for 'bleed area', a green line for 'trim line', and a grey line for 'safe area'.