

Truss Counter Straight Style A Dye Sub Printed

Front Side Panel:

Total Graphic Area: 29.75" x 40.125"

Finished Size: 25.75" x 36.125"

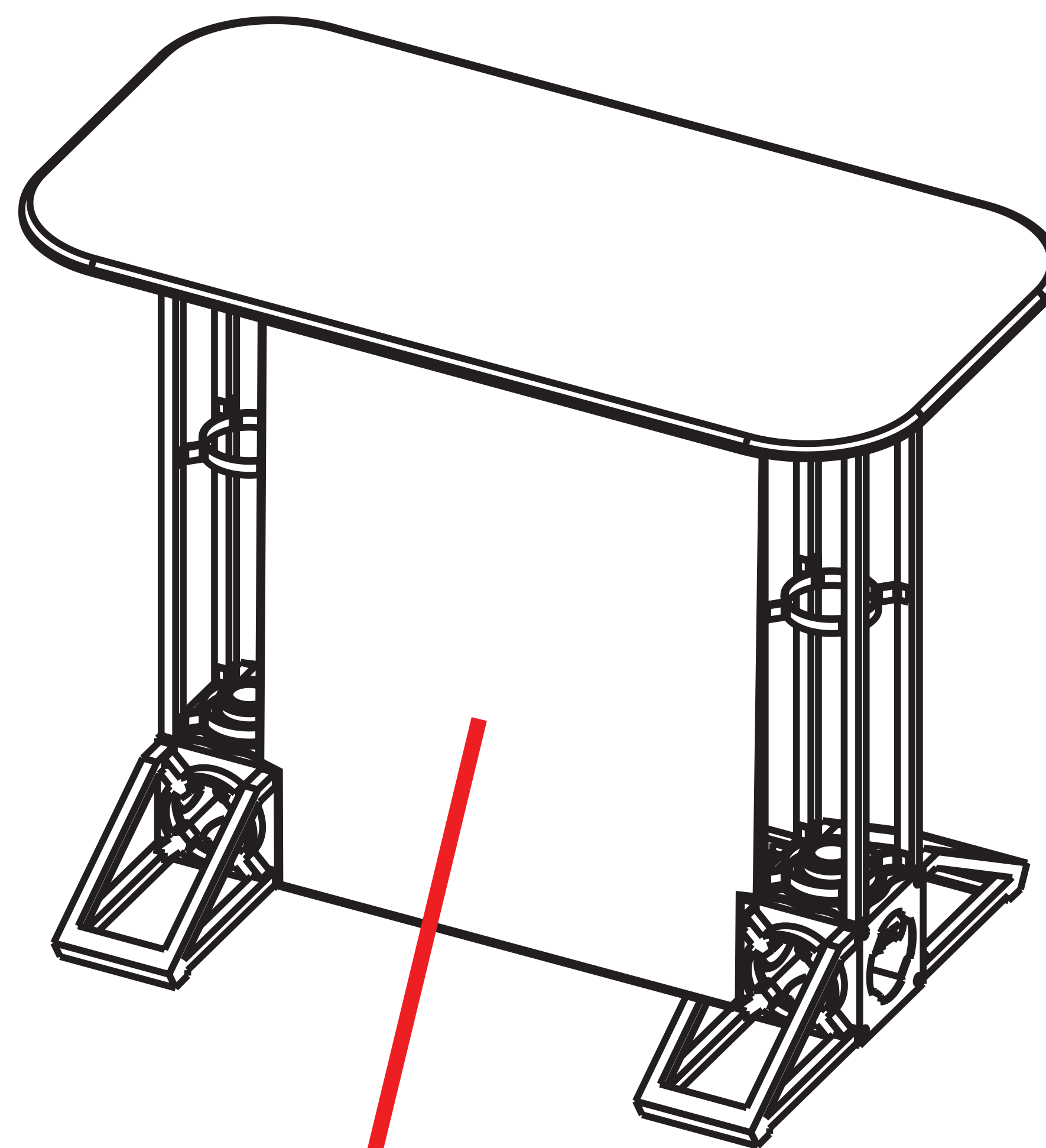
Template requires 2" bleed around the perimeter

FS = Graphic is front side mounted
(3/4" w velcro is applied to the back
of the panel)

Notching = 7/8" x 6 1/8" rectangle that
is cut into the appropriate location.

General Art Guidelines:

- CMYK Color Mode
- All Solid Coated Pantone colors should be called out in the art as spot colors
- Embed all images and support files
- Resolution must be 100-120ppi @ 100% size
- All fonts must be created to outlines
- Do not scale artboard
- Background color/images must bleed to the edge of artboard
- Do not use spot colors from template in your artwork as they will not print



FS

FS

**Compatible with
Truss Counters: OR-TC01,
OR-TC02 and OR-TC03**

notched
.875" x 6.125"
on bottom
left and right side.

— bleed area
— trim line